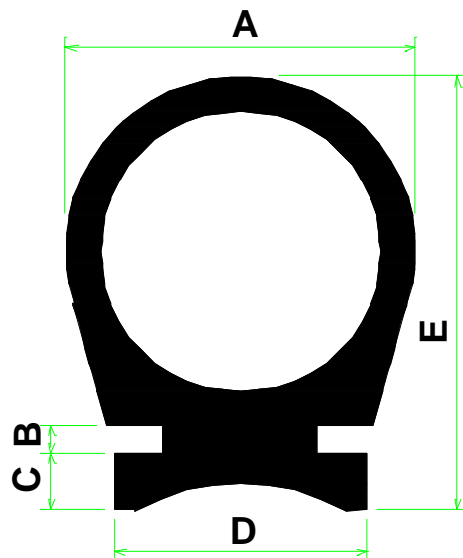


Zeichenerklärung



RT 9999

bedeutet

Profil-Nr.

EP / s / 9999 / (9998)

bedeutet *Qualität / Farbe / Artikel-Nr. / (Artikel-Nr. mit sk)*

sk = selbstklebend

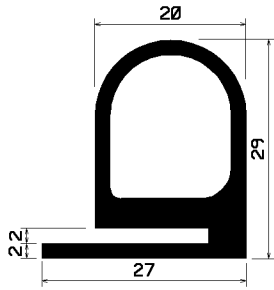
Qualität

CR	Neoprene
EP	APTK/EPDM
NBR	Perbunan
NK	Naturkautschuk
Si	Silikon
SPS	Silikonschaum
FPM	VITON®
PVC	Weich-PVC
SBR	Buna (Styrol-Butadien)

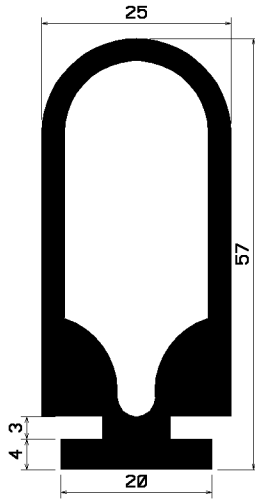
Farbe

s	schwarz
g	grau
w	weiß
az	anthrazit
bg	beige
br	braun
hg	hellgrau
rb	rotbraun
t	transparent
r	rot
x	Farbe wählbar

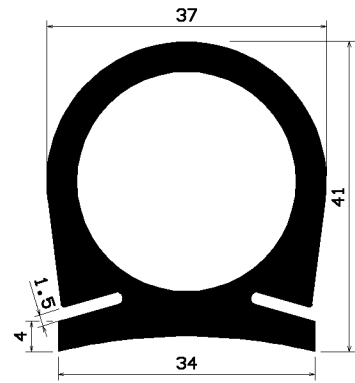
â = Eingetragenes Warenzeichen der Firma DuPont



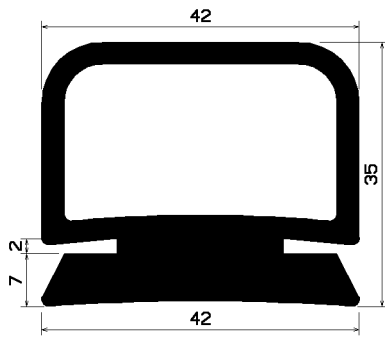
RT261
EP/s/ 1710



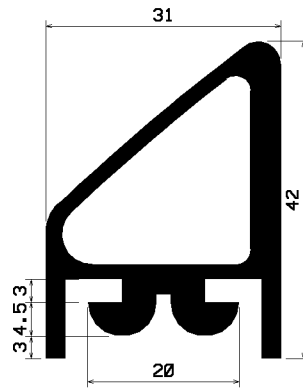
RT272
EP/s/ 2254
SBR/s/ 1711



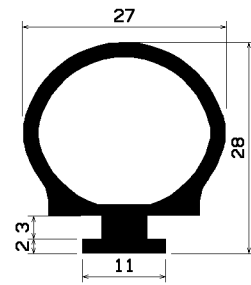
RT273
EP/s/ 2122
SBR/s/ 1712



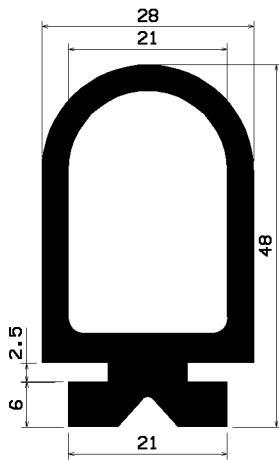
RT274
EP/s/ 3188



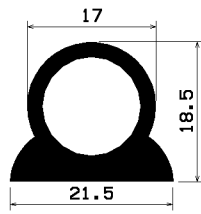
RT275
EP/s/ 1218



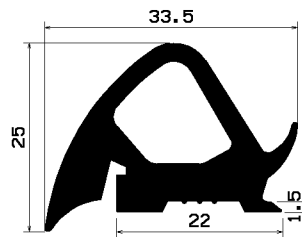
RT309
PVC/s/ 2270



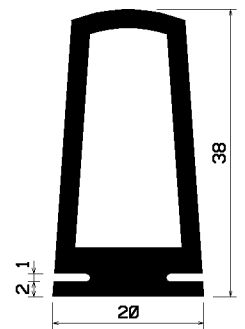
RT355
Si/r/ 1715



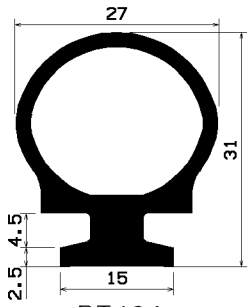
RT387
EP/s/ 1717



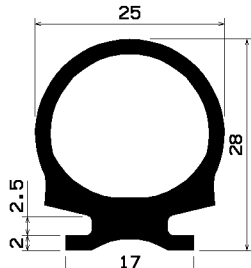
RT407
EP/s/ 2909



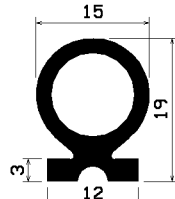
RT411
EP/s/ 1718



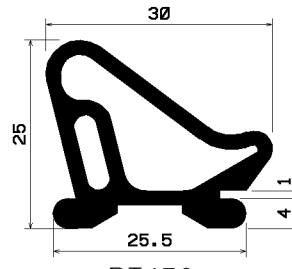
RT424
PVC/s/ 1719



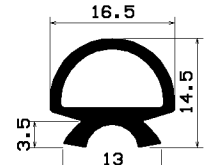
RT425
PVC/x/ 1720



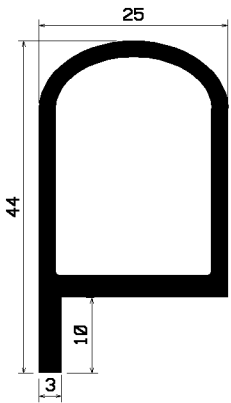
RT431
EP/s/ 1820



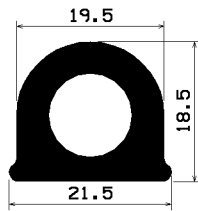
RT476
EP/s/ 1723



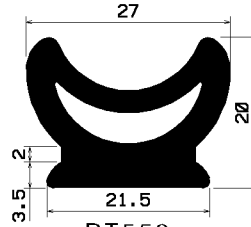
RT506
EP/s/ 1724



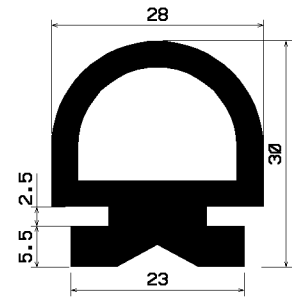
RT509
EP/s/ 1725



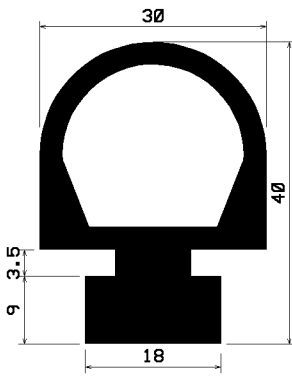
RT558
NBR/s/1728



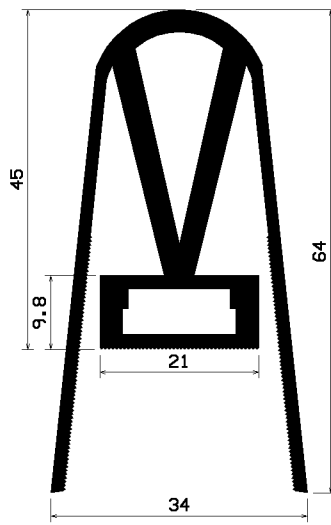
RT559
NBR/s/1729



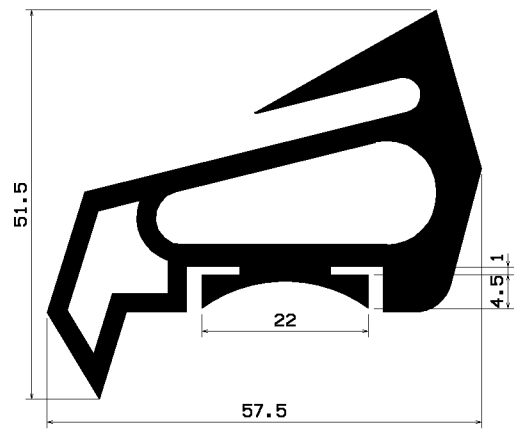
RT591
NBR/s/ 3632
Si/ / 1730



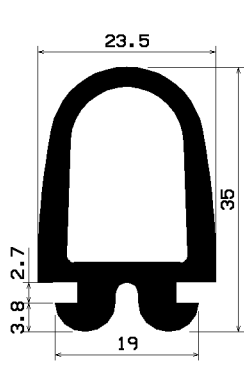
RT621
EP/s/ 1732



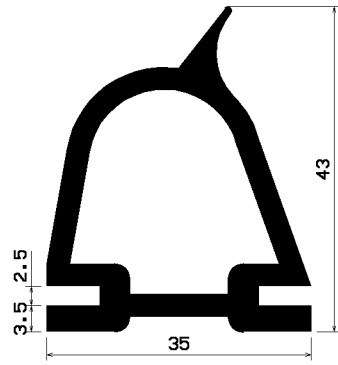
RT665
EP/s/ 2833



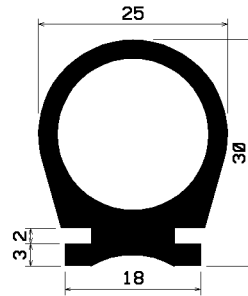
RT733
EP/s/ 2100



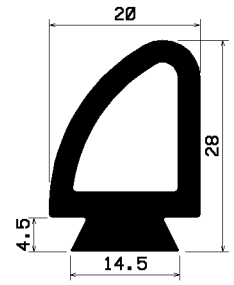
RT735
EP/s/ 2169



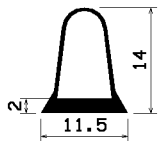
RT782
EP/s/ 2547



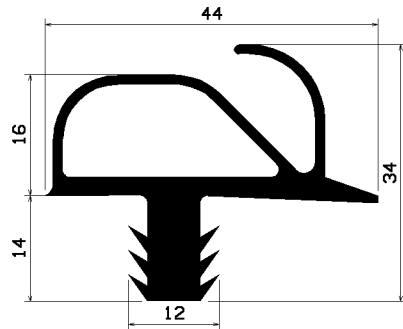
RT792
EP/s/ 2561



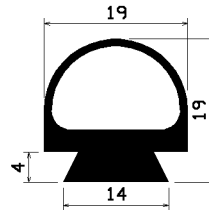
RT838
EP/s/ 2870



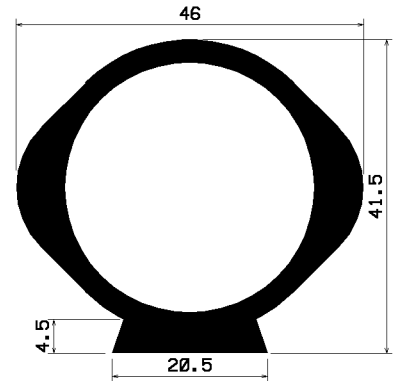
RT887
Si/w/ 3039



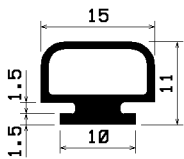
RT891
EP/s/ 3082



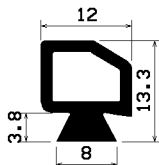
RT920
CR/s/ 3125
EP/g/ 5160



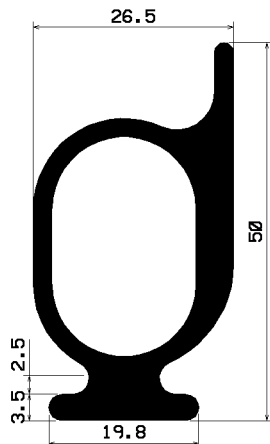
RT949
EP/s/ 3214



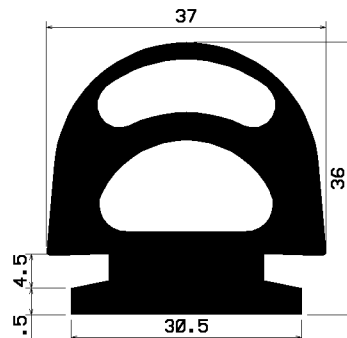
RT951
EP/s/ 3229



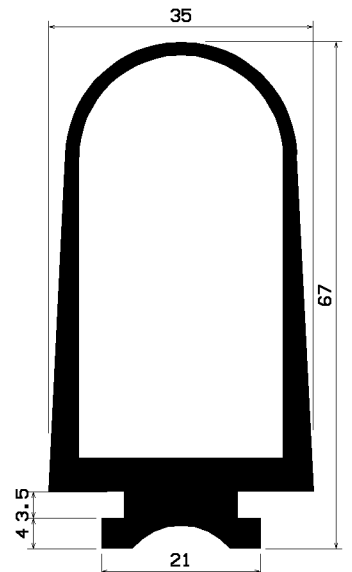
RT952
EP/s/ 3230



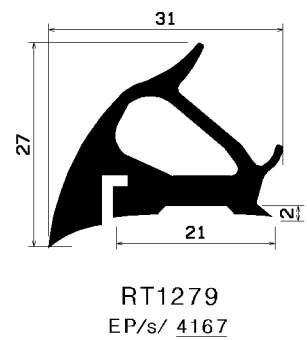
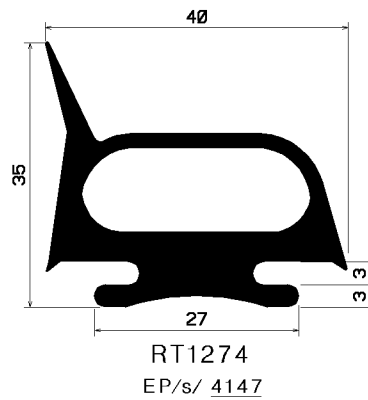
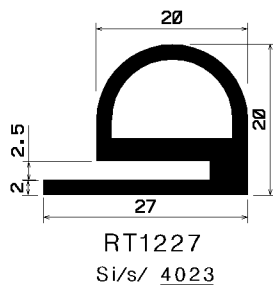
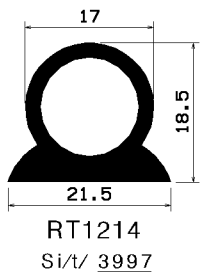
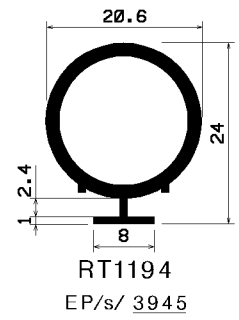
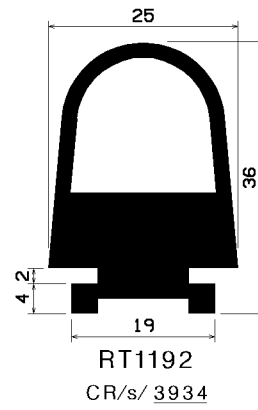
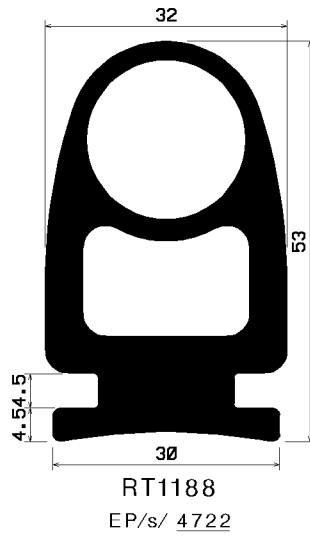
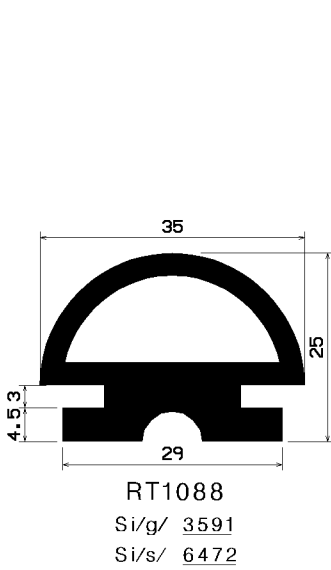
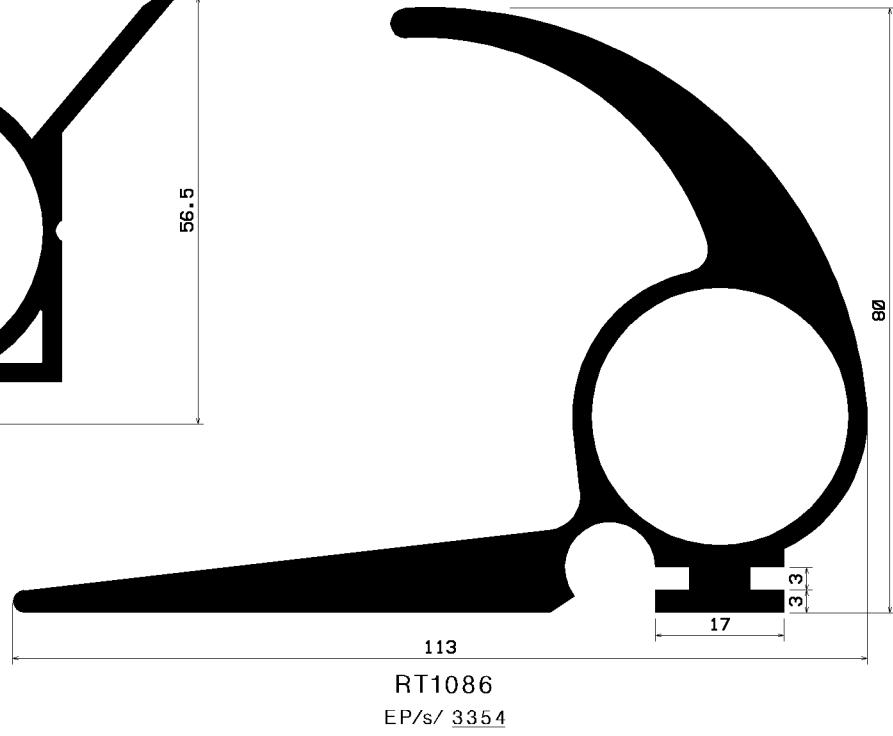
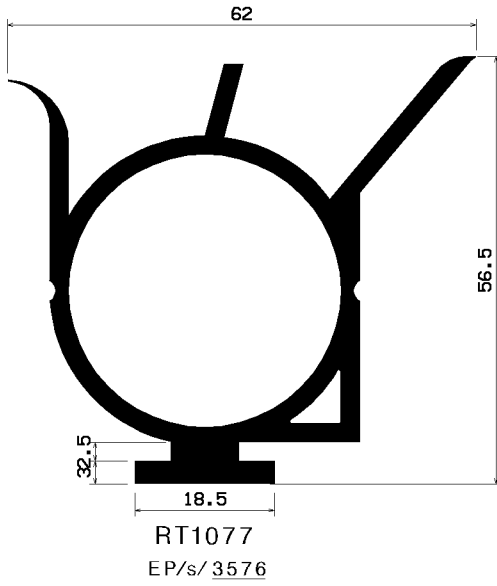
RT961
EP/s/ 3260

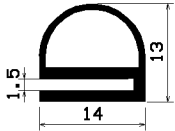


RT994
EP/s/ 3329

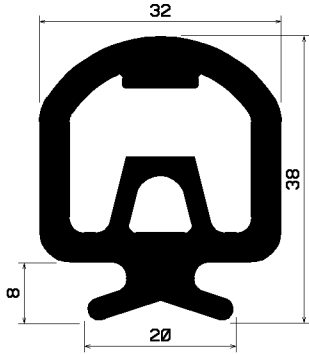


RT995
EP/s/ 3330

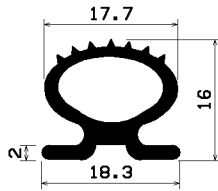




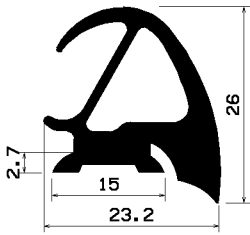
RT1297
Si/t/ 4185



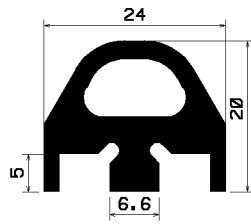
RT1326
EP/s/ 1162



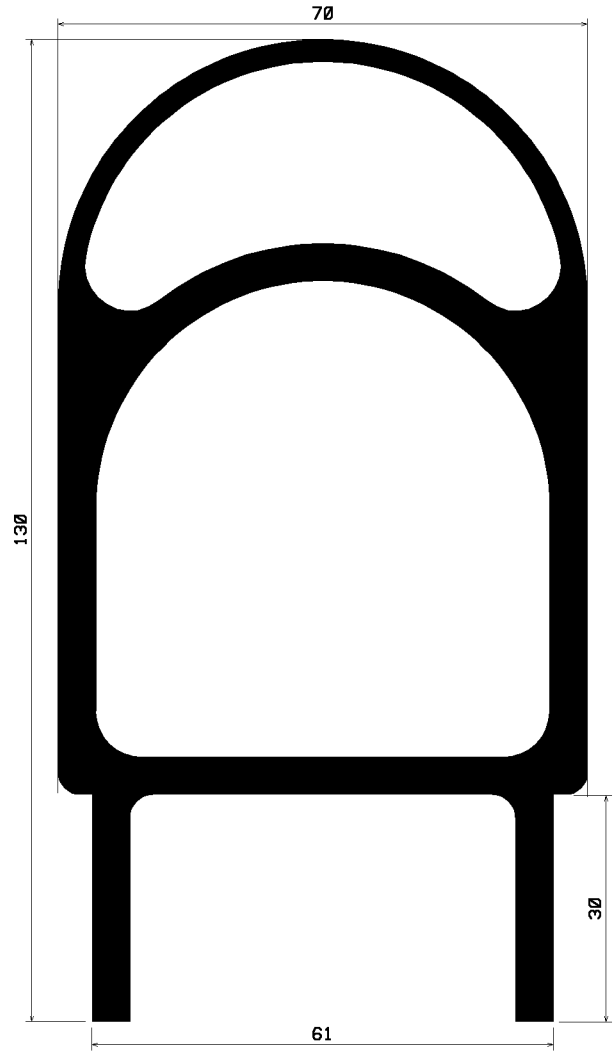
RT1330
Si/rb/ 1123
Si/s/ 5238



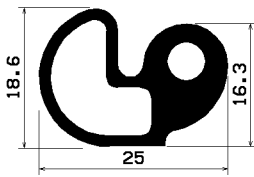
RT1364
EP/s/ 1320



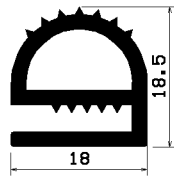
RT1368
CR/s/ 1454



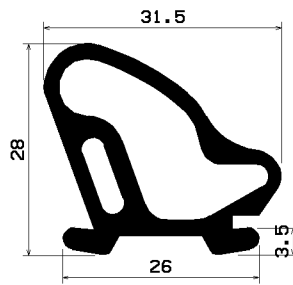
RT1369
EP/s/ 1337



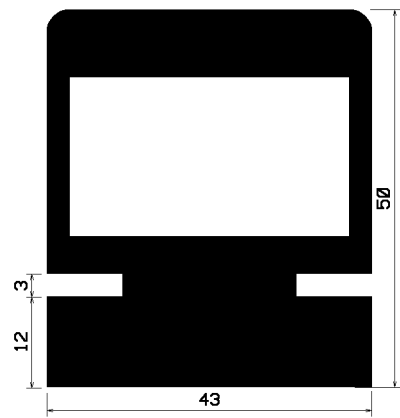
RT1376
EP/s/ 1721



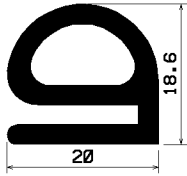
RT1399
Si/g/ 3156



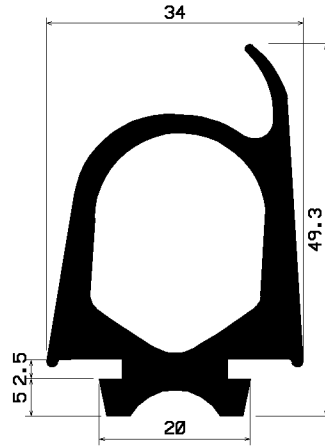
RT1425
EP/s/ 4278



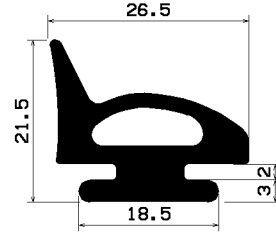
RT1453
EP/s/ 4485



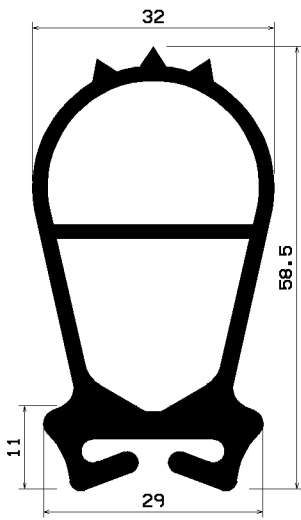
RT1461
Si/V/ 4539



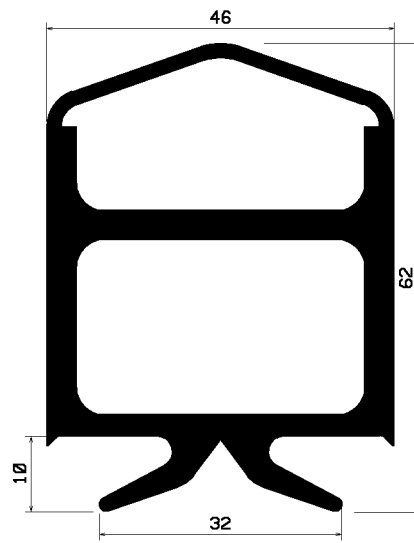
RT1502
EP/s/ 4701



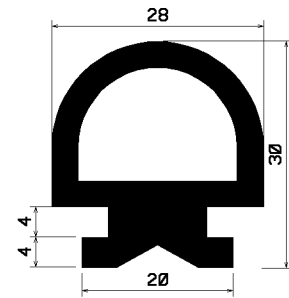
RT1503
EP/s/ 4702



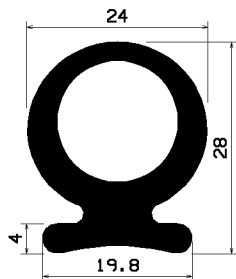
RT1517
EP/s/ 4746



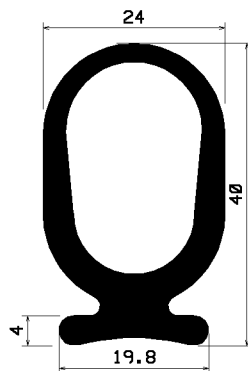
RT1552
EP/s/ 4852



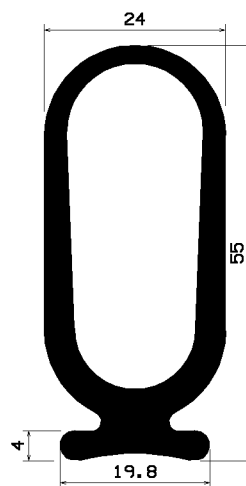
RT1554
EP/s/ 4854



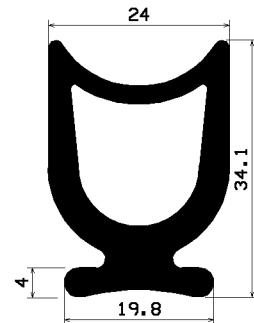
RT1573
EP/s/ 4863



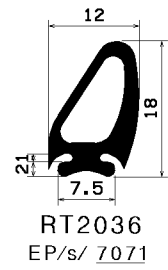
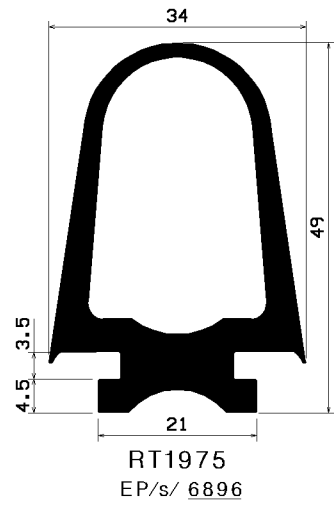
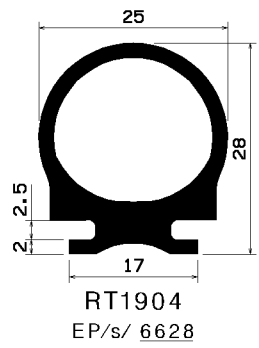
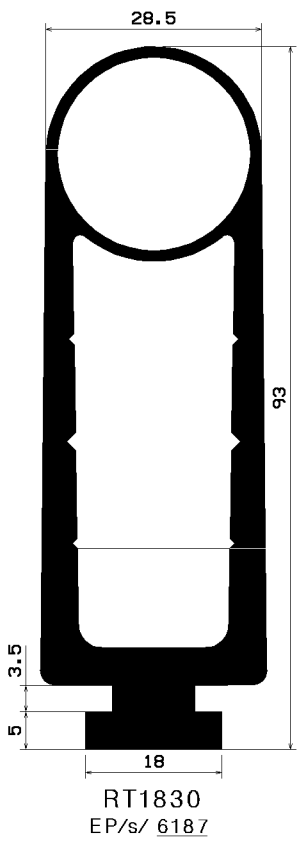
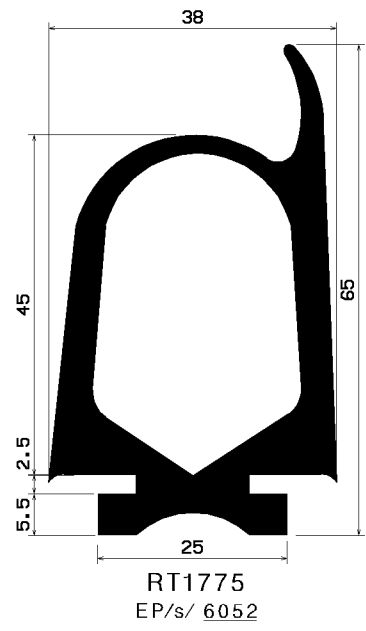
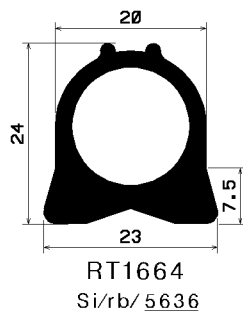
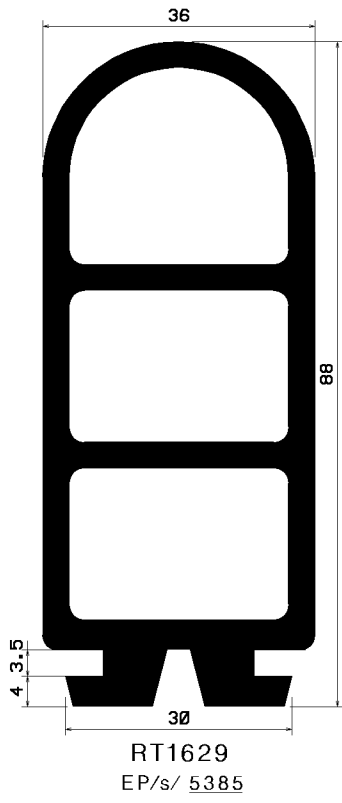
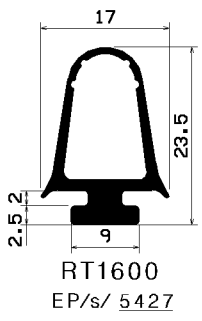
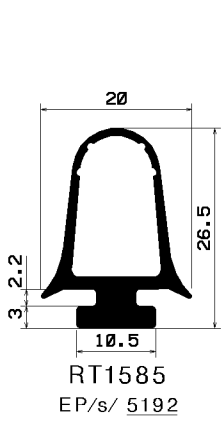
RT1574
EP/s/ 4657

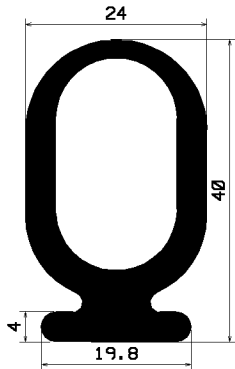


RT1575
EP/s/ 5749

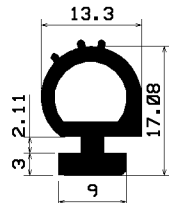


RT1576
EP/s/ 5750
NBR/s/ 6979

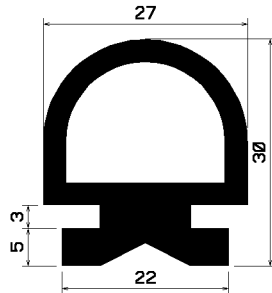




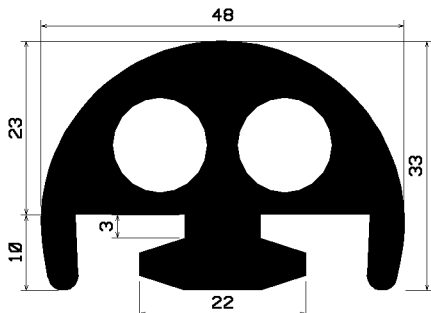
RT2037
NBR/s/ 7084



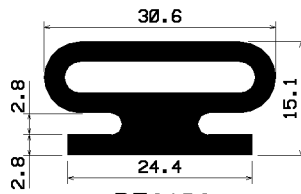
RT2044
EP/s/ 7092



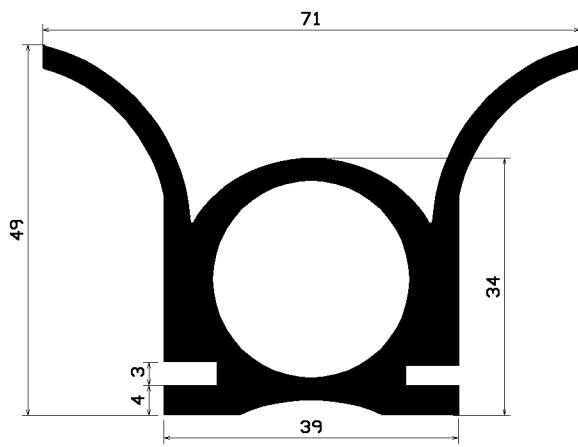
RT2065
Si/I/ 7153



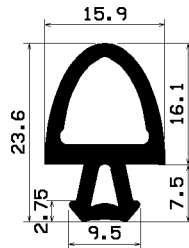
RT2118
EP/s/ 7314



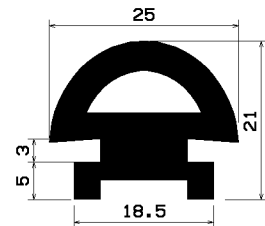
RT2153
EP/s/ 7576



RT2199
EP/s/ 7676



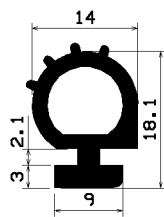
RT2210
EP/s/ 7696



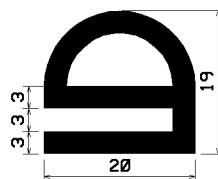
RT2211
EP/s/ 7700



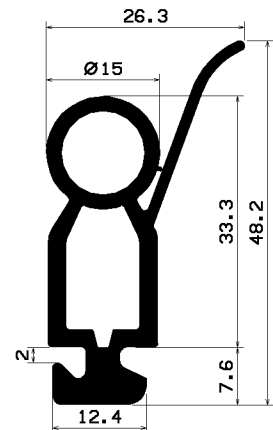
RT2249
EP/s/ 7854



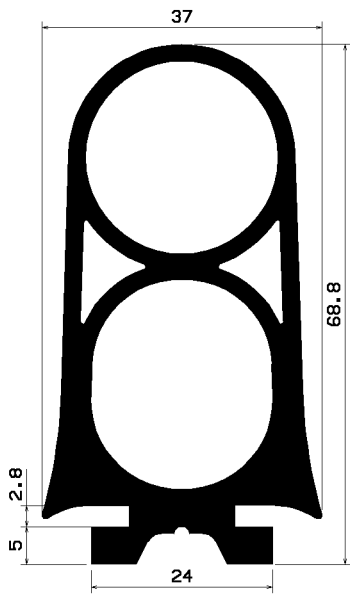
RT2292
EP/s/ 8004



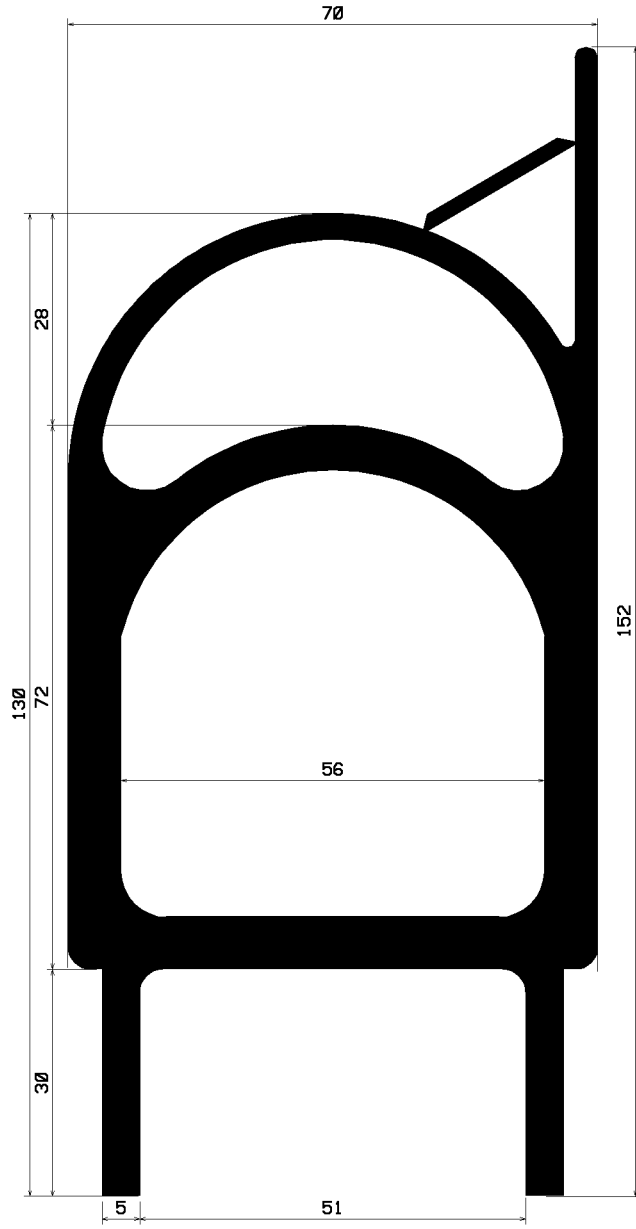
RT2318
Si/I/ 8058



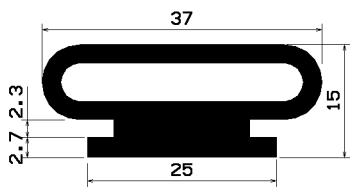
RT2343
EP/s/ 8139



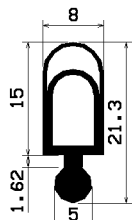
RT2351
EP/s/ 8215



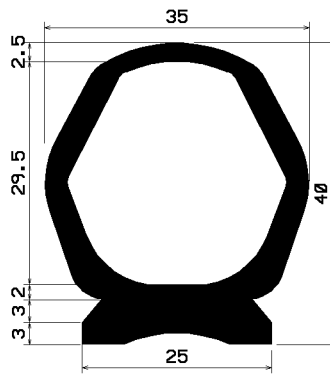
RT2463
EP/s/ 7444



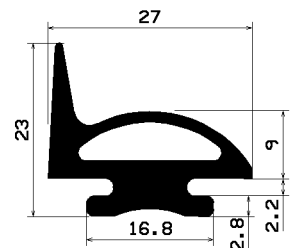
RT2492
EP/bi/ 7529



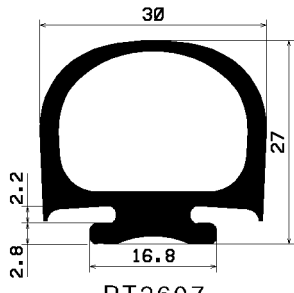
RT2521
EP/s/ 8431



RT2573
EP/s/ 8700



RT2605
EP/s/ 8790



RT2607
EP/s/ 8792