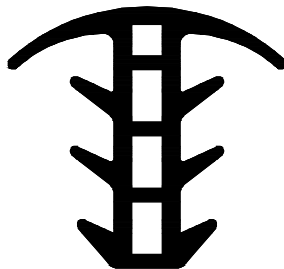




Vollgummi

Zeichenerklärung



FA 9999

bedeutet

Profil-Nr.

EP / s / 9999

bedeutet

Qualität / Farbe / Artikel-Nr.

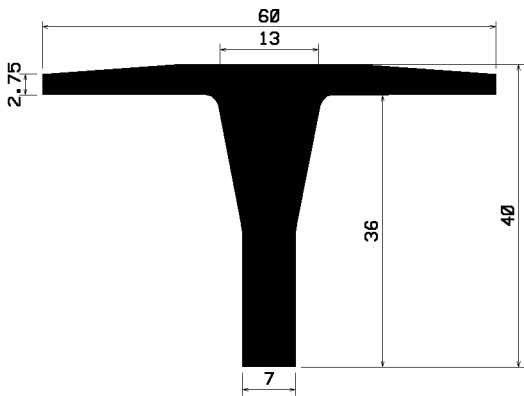
Qualität

CR	Neoprene
EP	EPDM
NBR	Perbunan
NK	Naturkautschuk
Si	Silikon
SPS	Silikonschaum
FPM	VITON®
PVC	Weich-PVC
SBR	Buna (Styrol-Butadien)
TPE	Thermoplastisches Elastomer

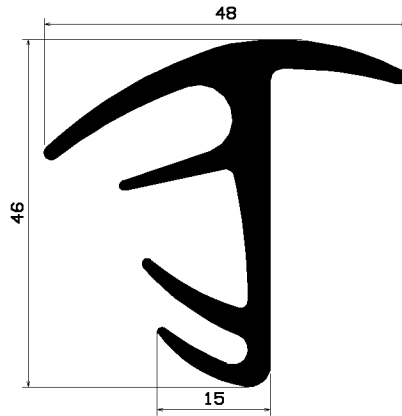
Farbe

s	schwarz
g	grau
w	weiß
az	anthrazit
bg	beige
br	braun
hg	hellgrau
rb	rotbraun
t	transparent
r	rot
x	Farbe wählbar

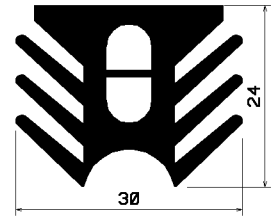
® = Eingetragenes Warenzeichen der Firma DuPont



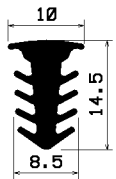
FA235
EP/s/ 2035



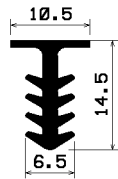
FA271
EP/s/ 2593



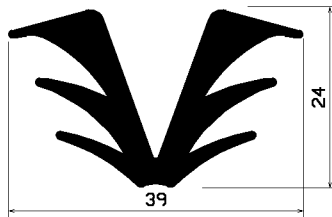
FA398
EP/s/ 2721



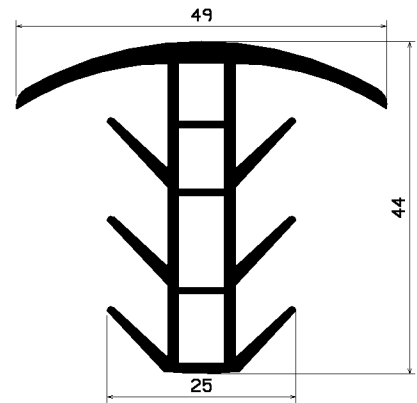
FA461
EP/s/ 7105



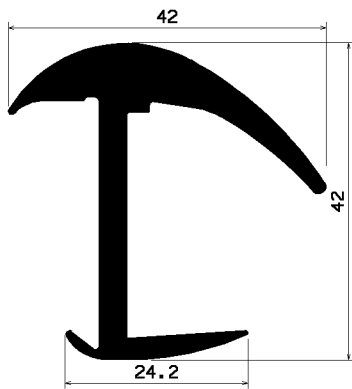
FA491
EP/s/ 2885



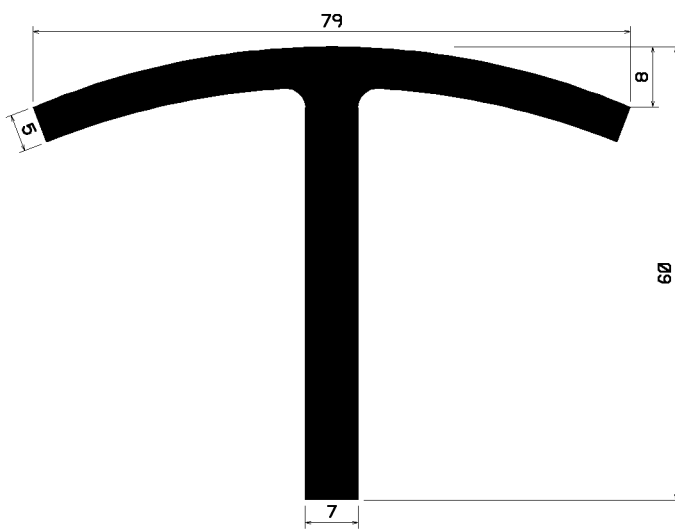
FA537
EP/s/ 2877



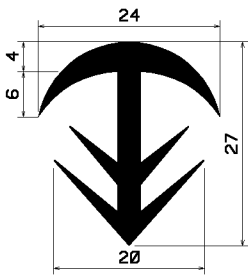
FA636
TPE/s/ 3383
EP/s/ 7858



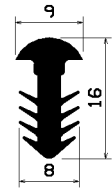
FA740
EP/s/ 2124



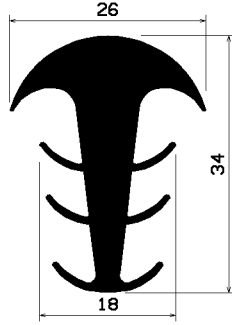
FA742
EP/s/ 2175



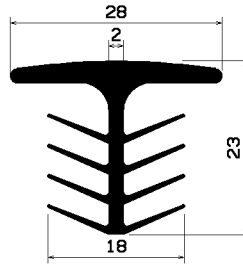
FA748
EP/s/ 2196



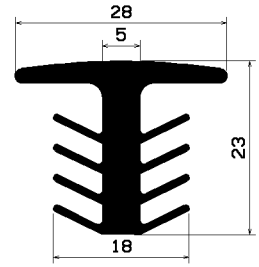
FA839
EP/s/ 2864



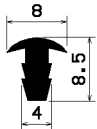
FA840
EP/s/ 2865



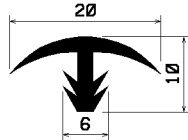
FA904
EP/s/ 8027



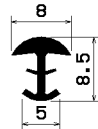
FA904/2
Si/t/ 3086



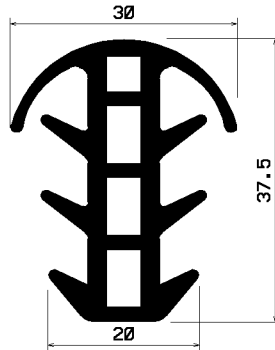
FA950
EP/s/ 3218



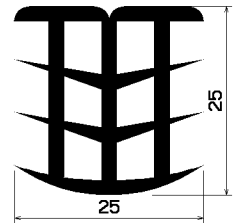
FA998
Si/t/ 3338
Si/w/ 3404
Si/g/ 3640
Si/s/ 3802



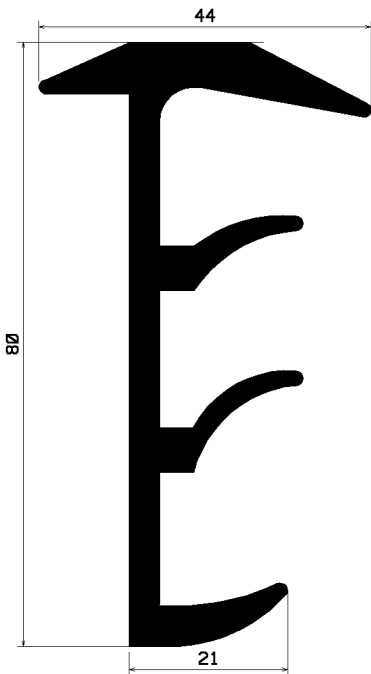
FA1027
EP/s/ 3403



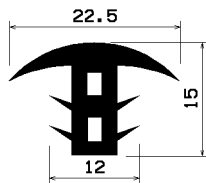
FA1053
EP/s/ 3455



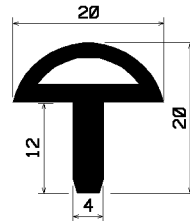
FA1081
EP/s/ 3600



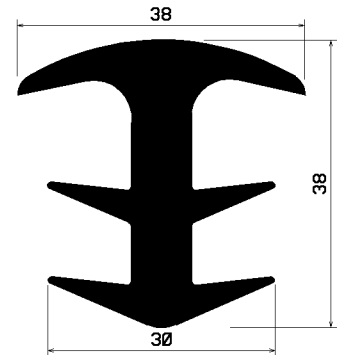
FA1207
EP/s/ 3967



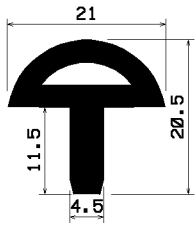
FA1221
EP/s/ 4014



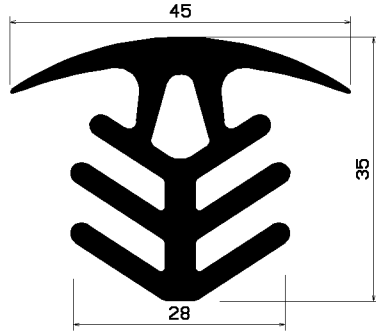
FA1239
EP/s/ 4060



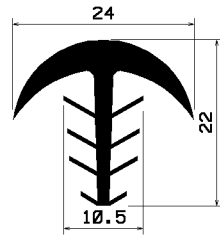
FA1253
EP/g/ 4098



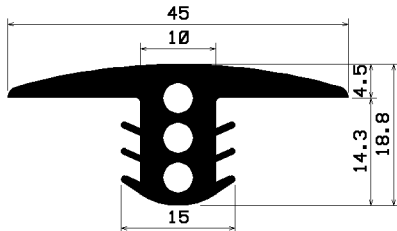
FA1267
EP/s/ 4142



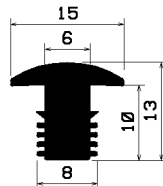
FA1349
EP/g/ 1191



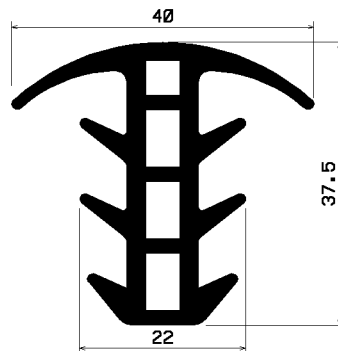
FA1437
CR/s/ 3480



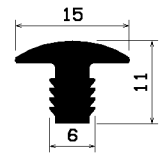
FA1457
PVC/or/4536
PVC/bl/4537
NBR/s/ 6799



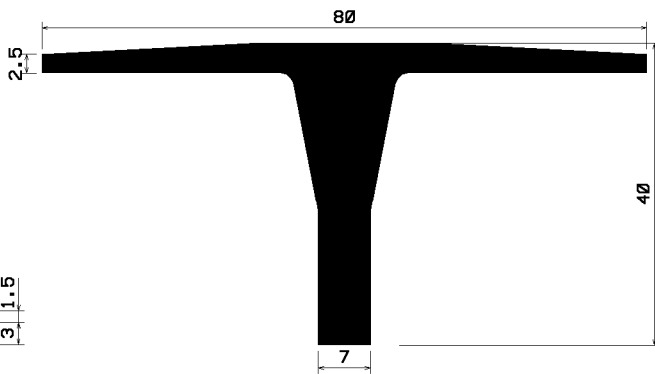
FA1471
EP/s/ 4603



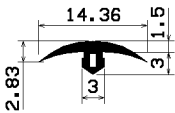
FA1479
EP/s/ 4700



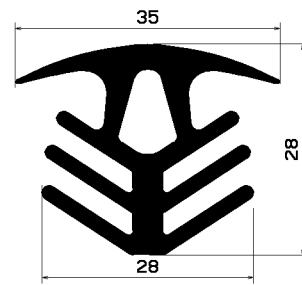
FA1486
EP/s/ 4666



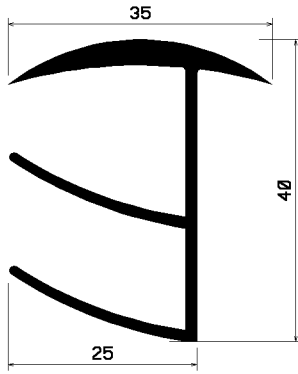
FA1550
EP/s/ 4773



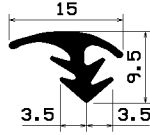
FA1526
EP/s/ 5729



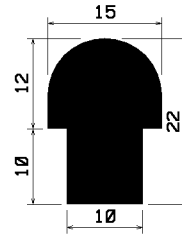
FA1559
EP/s/ 4888



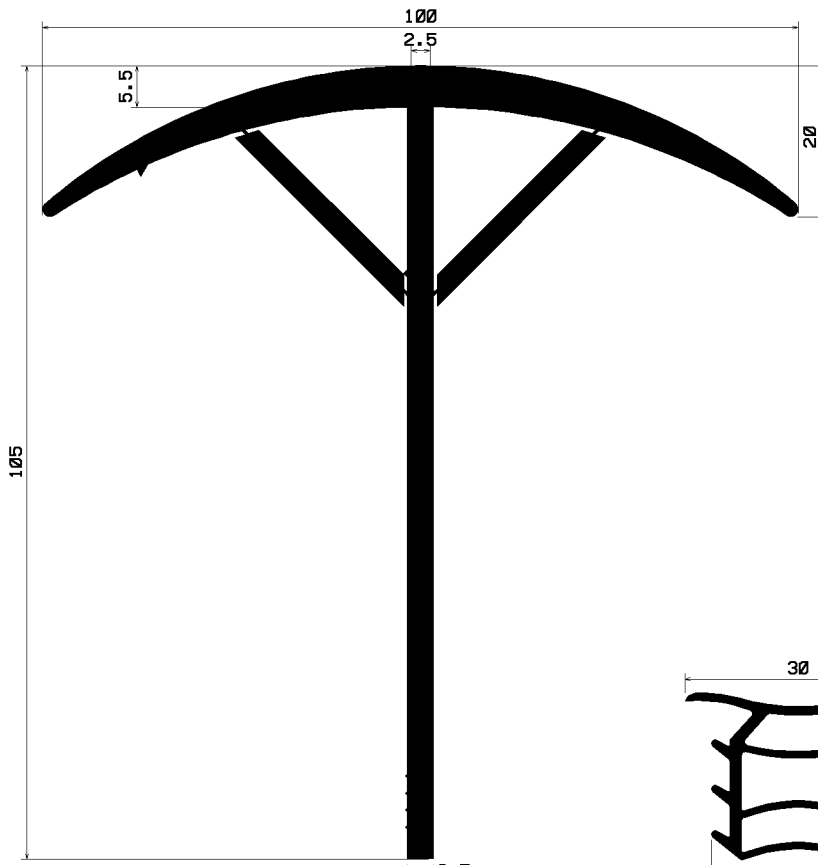
FA1560
EP/s/ 4998



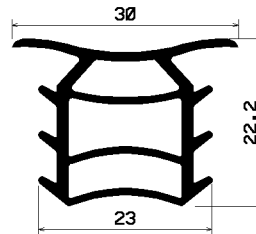
FA1675
EP/s/ 5726



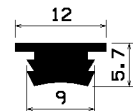
FA1701
Si/V/ 5776



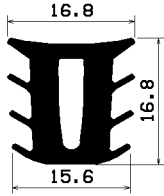
FA1711
EP/s/ 5860



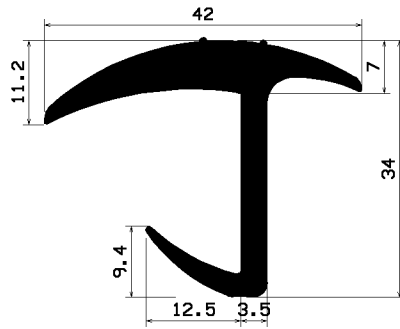
FA1717
EP/s/ 5859



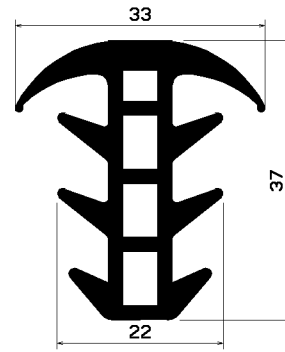
FA1742
Si/V/ 5967



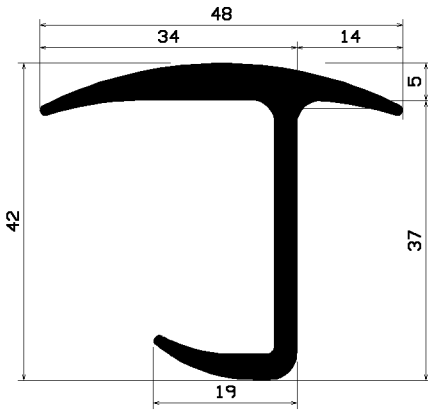
FA1829
EP/s/ 6204



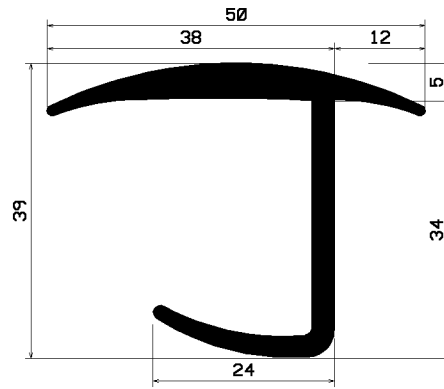
FA1945
EP/s/ 6840



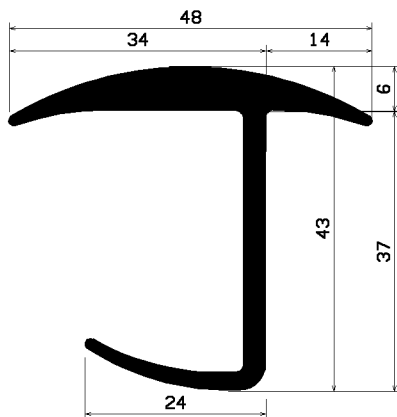
FA1982
EP/s/ 6936



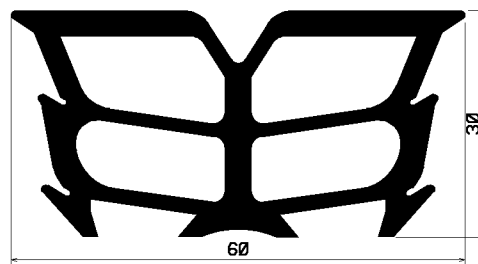
FA2050
EP/s/ 7115



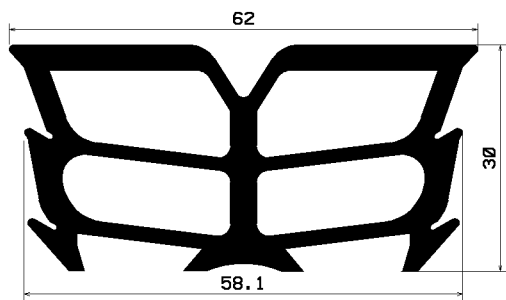
FA2051
EP/s/ 7116



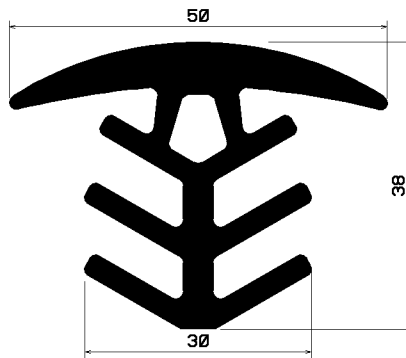
FA2052
EP/s/ 7117



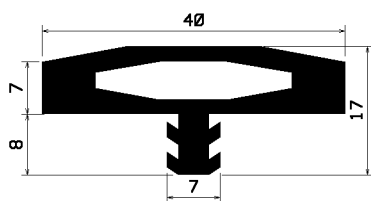
FA2068
EP/s/ 7167



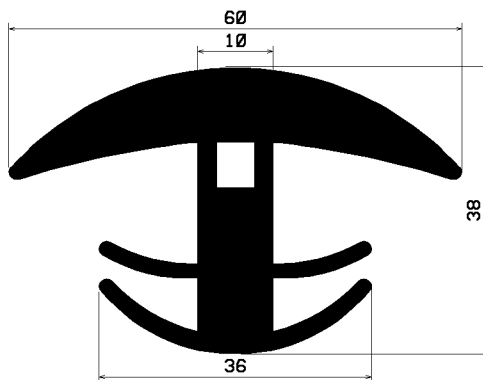
FA2087
EP/s/ 7241



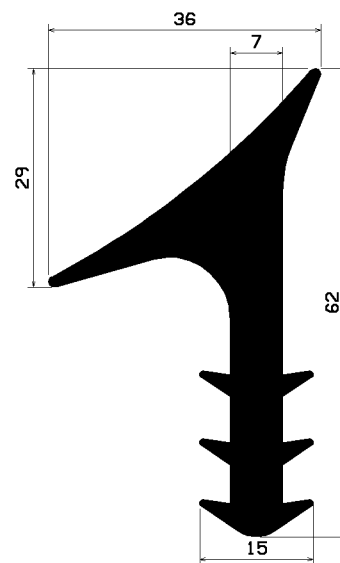
FA2102
EP/s/ 7271



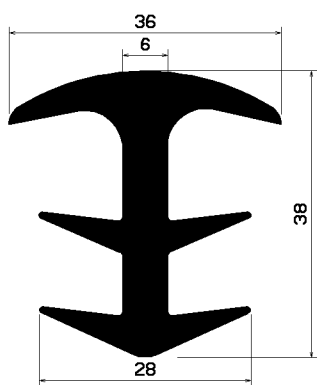
FA2114
Si/1/ 7303



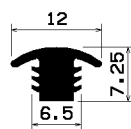
FA2169
EP/s/ 7621



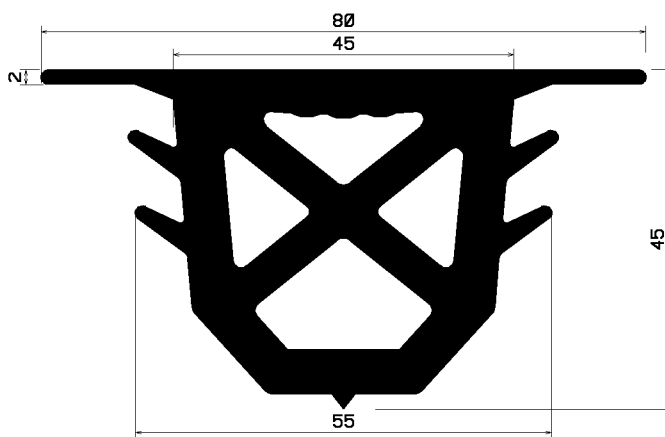
FA2247
EP/s/ 7851



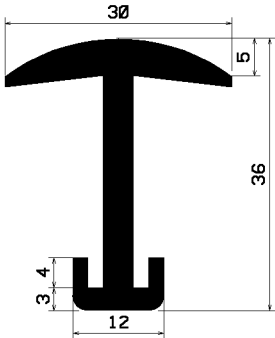
FA2285
EP/s/ 7980



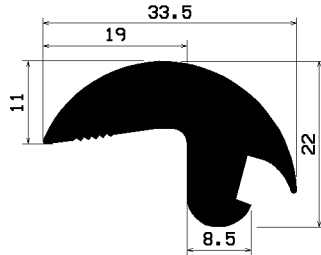
FA2300
EP/s/ 8065



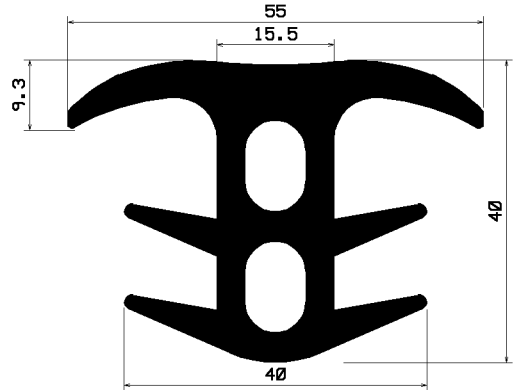
FA2328
EP/s/ 8103



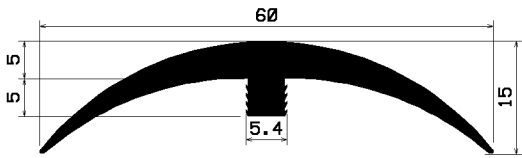
FA2409
EP/s/ 8285



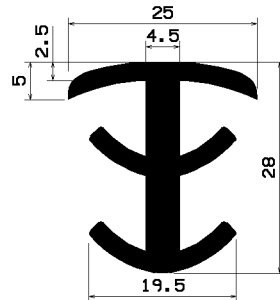
FA2420
EP/s/ 8318



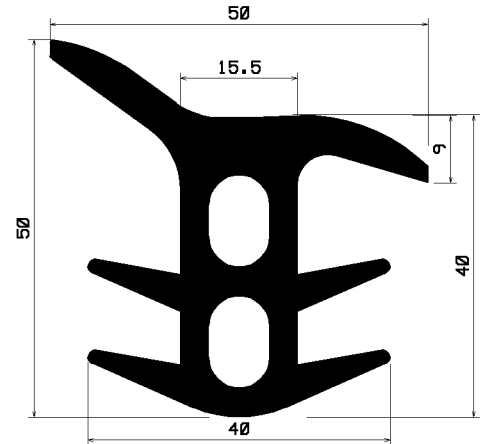
FA2470
EP/s/ 7451



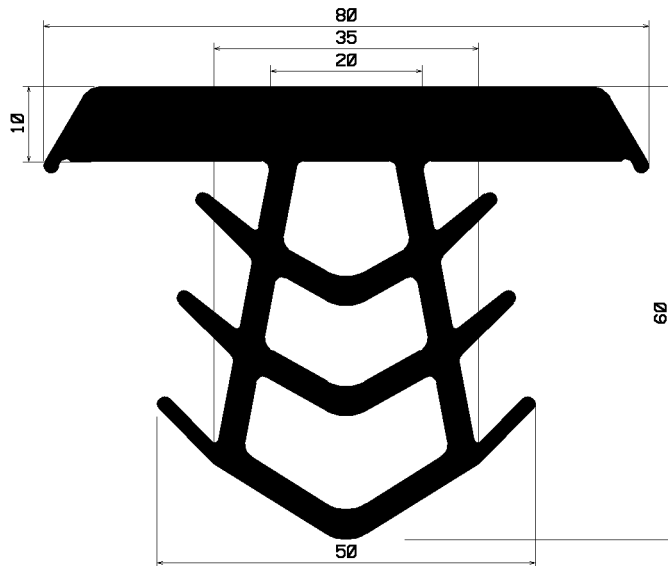
FA2475
PVC/s/7493



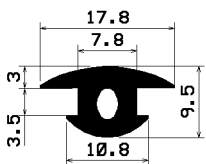
FA2501
EP/s/ 8392



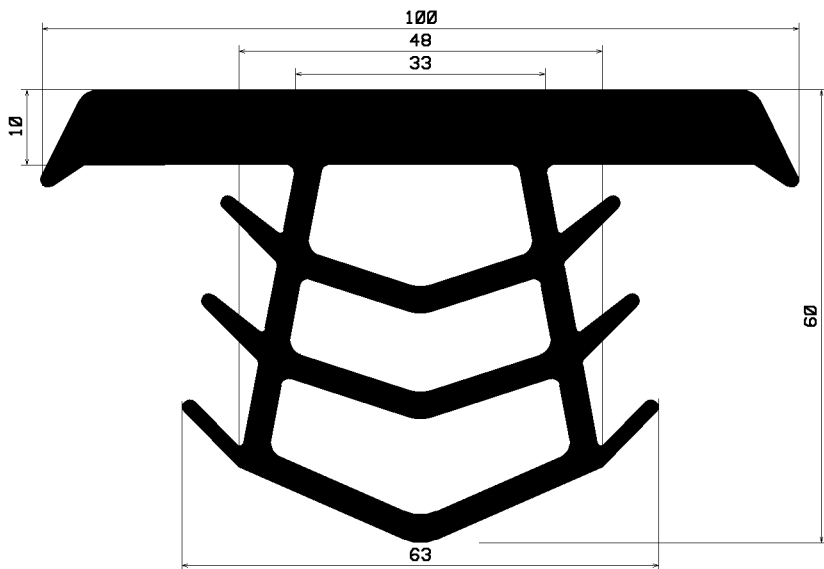
FA2514
EP/s/ 8426



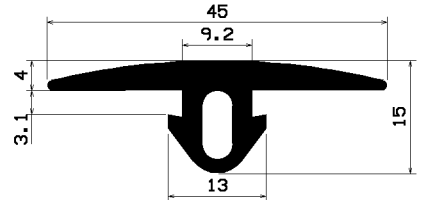
FA2544
EP/s/ 8638



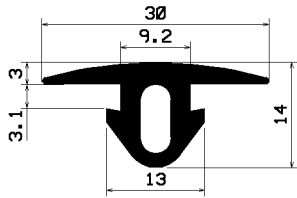
FA2533
EP/s/ 8592



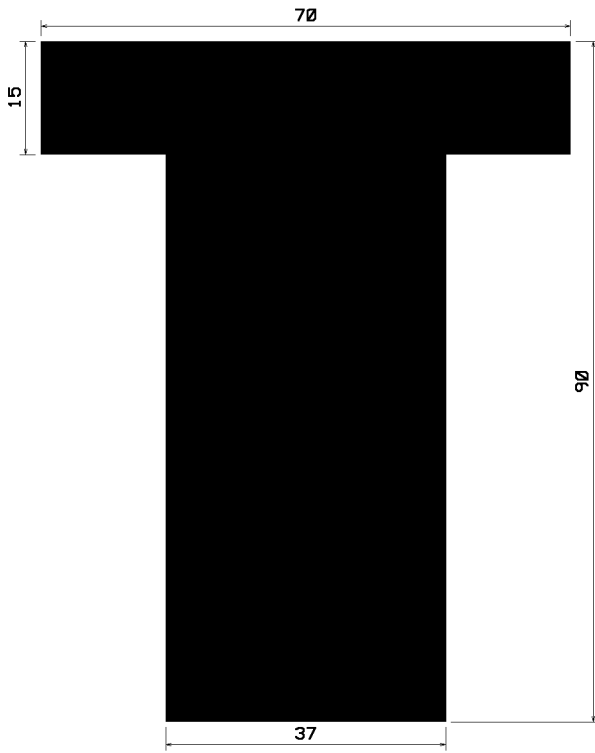
FA2548
EP/s/ 8639



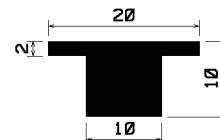
FA2609
EP/s/ xxxx



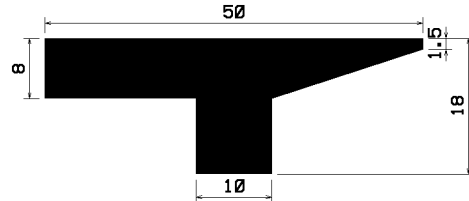
FA2610
EP/s/ xxxx



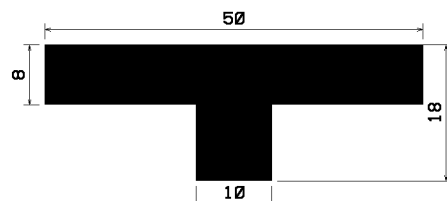
T351
EP/s/2689



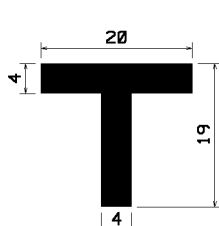
T855
EP/s/2948



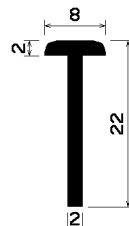
T863
EP/s/2968



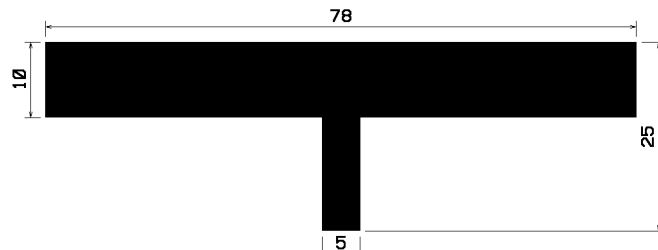
T864
EP/s/2967



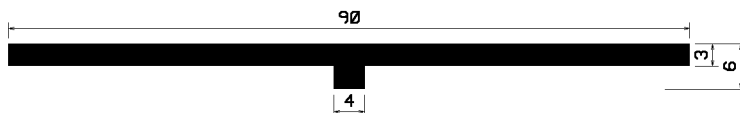
T1041
EP/s/3446



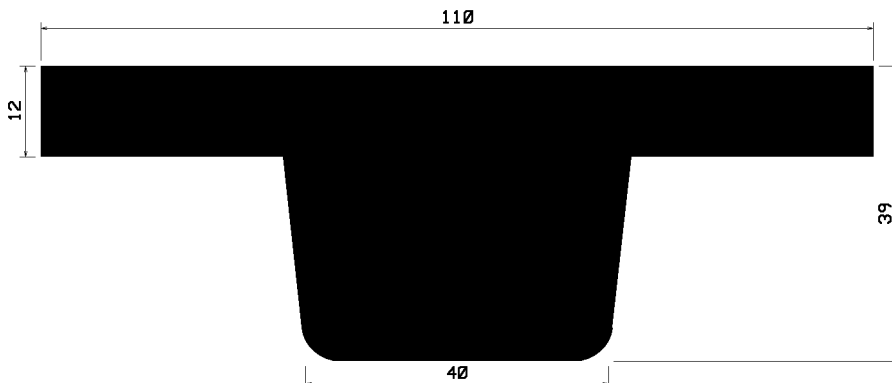
T1085
EP/s/3577



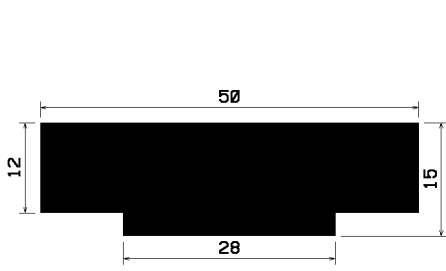
T1174
CR/s/3890



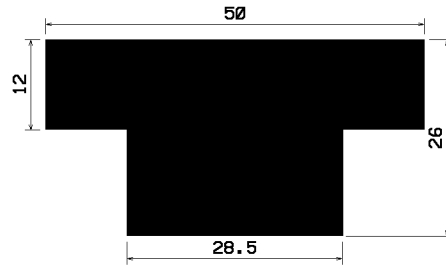
T1216
CR/s/3993



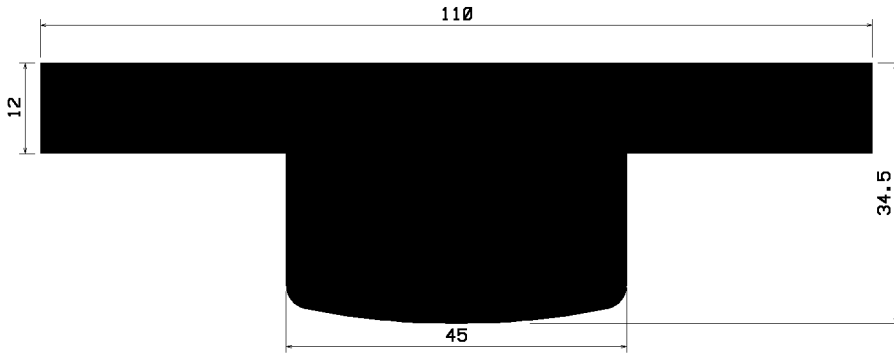
T1224
EP/s/4026



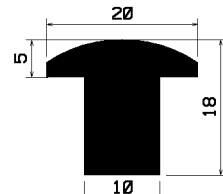
T1311
Si/V/ 0306



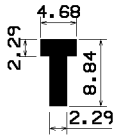
T1389
Si/V/ 1874



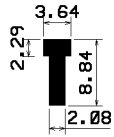
T1405
CR/s/1433



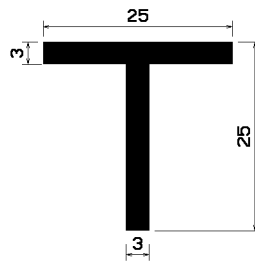
T1520
NBR/s/ 4745



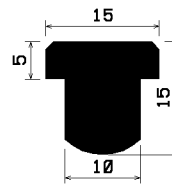
T1647
Si/s/ 5471



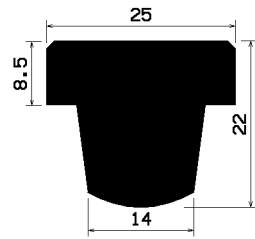
T1648
Si/s/ 5472



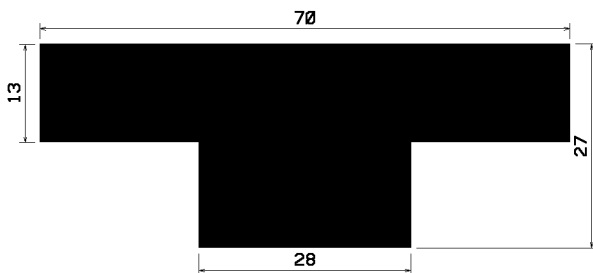
T1674
EP/s/ 5687



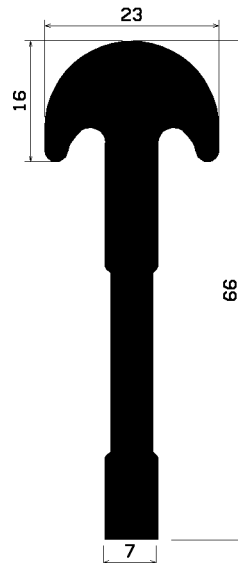
T1681
EP/s/ 5709



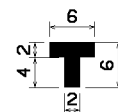
T1682
EP/s/ 5710



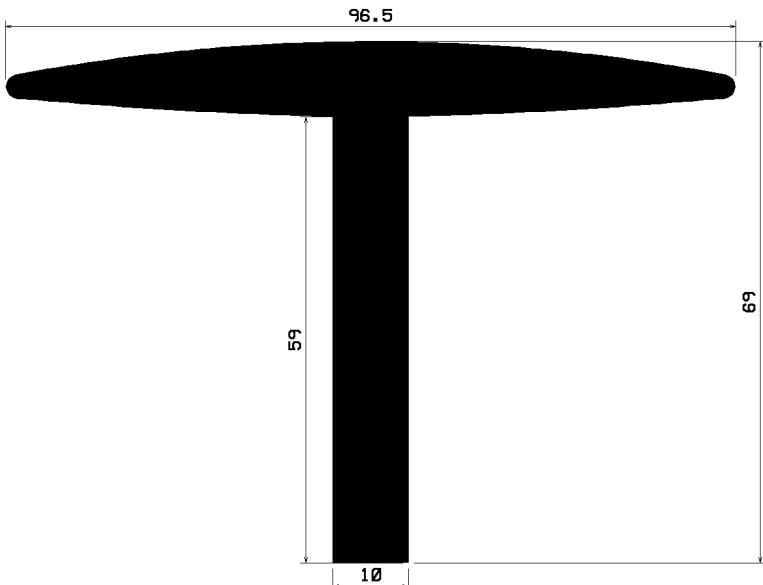
T1707
Si/V/ 5818



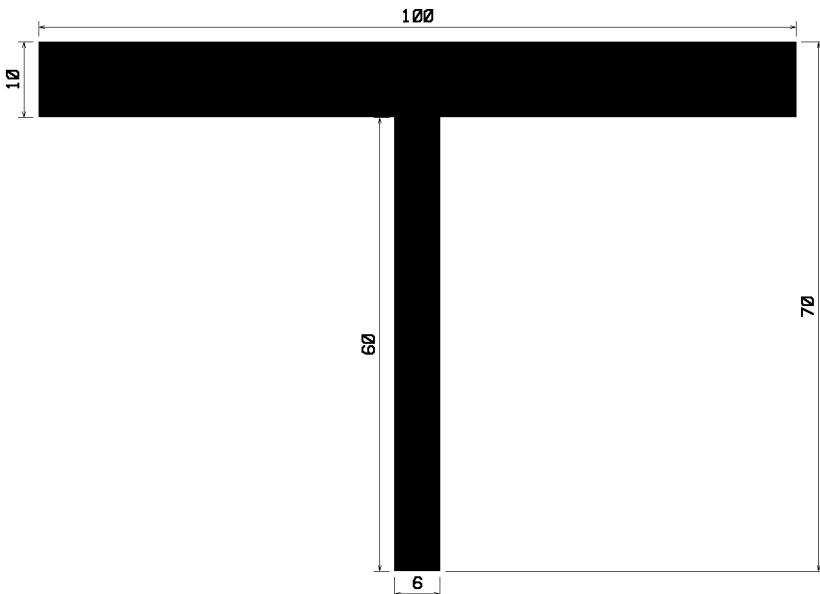
T1782
EP/s/ 6076



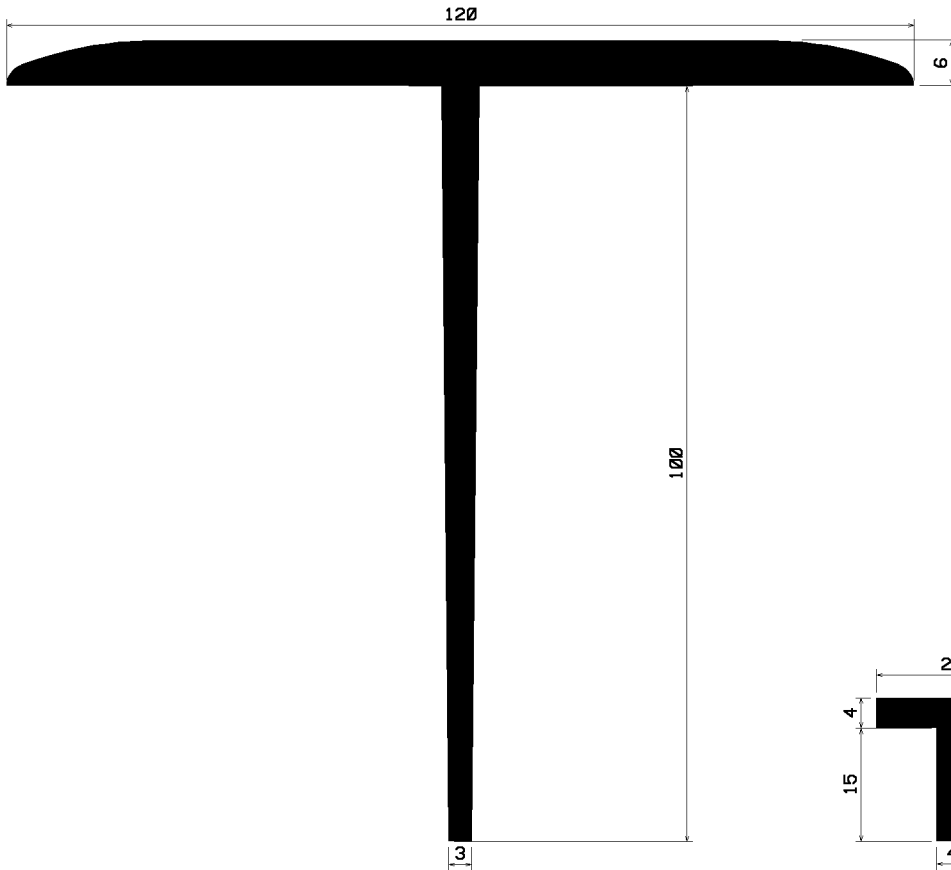
T1940
Si/V/ 6838



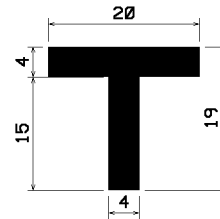
T1970
EP/s/ 6876



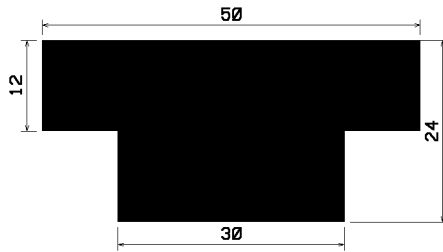
T1981
EP/s/ 6932



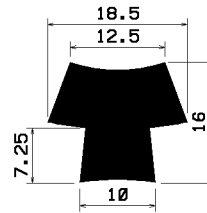
T2100
EP/s/ 7267



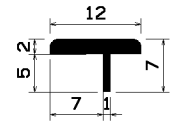
T2257
EP/s/ 7899



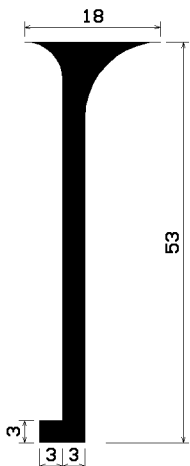
T2353
EP/s/ 8154



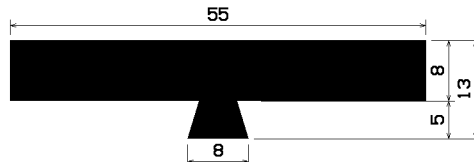
T2419
EP/s/ 8316



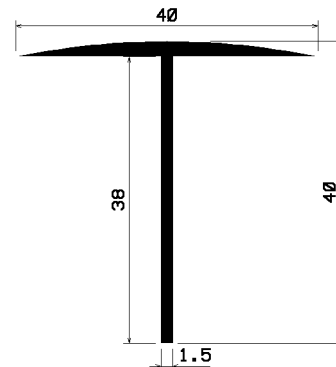
T2452
EP/s/ 7440



T2481
EP/s/ 7509



T2511
EP/s/ 8420



T2619
EP/s/ 8738